

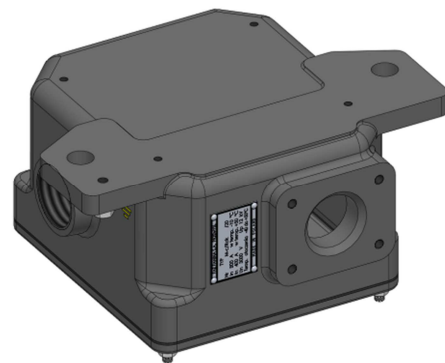
DISTRIBUTION BOX 88.3000-SCP

DESIGN AND APPLICATION:

The 88.3000-SCP distribution box is a sub-assembly of the ZW-1 coupler assembly used to connect individual railcar segments of the train high voltage heating systems in the railway standard used in the Czech Republic and Slovakia.

The box task is permanently connect HV cables. It is interfaced with a plug wired with ASWPr-11 or other cable, equipped with an appropriate adapter. The box housing is made of an aluminium alloy and equipped with internal clamp for HV cables mounted on an insulating base. HV cables are mounted in a clamp by pressing with shins against the contact board.

The box is fixed to the locomotive or railcar by means of two M20 bolts. The box body is equipped with internal grounding clamp which is an M10 screw. Weight – 10 kg.



PERMISSIBLE PERMANENT CURRENT LOAD		
Range of ambient temperatures:	CURRENT „I” (A)	
	for 185 mm ² cable	for 185 mm ² cable
below -10°C	800	267
-10°C ÷ 15°C	600	200
15°C ÷ 30°C	500	167
30°C ÷ 50°C	400	134
OTHER SPECIFICATIONS		
Rated voltage	3kV for direct or alternate current	
Test voltage	12kV for 1 minute	
Protection degree	IP55	

DOCUMENTS PROVIDED WITH THE PRODUCT:
Acceptance certificate 3.1.

