

LOW VOLTAGE CURRENT TRANSFORMERS

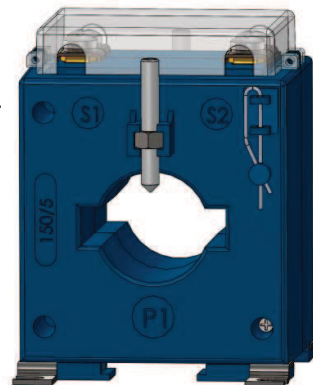
ISS-1-40

CONSTRUCTION AND APPLICATION:

The ISS-1-30 transformers are made as single-phase, low voltage, indoor, dry transformers on a ring core, intended to supply measuring instruments with the maximum permissible operating voltage below 0.72 kV and a frequency of 50 Hz. ISS-1-30 current transformers are designed for application on a 40x10 mm current circuit rail or a max. Ø 30mm cable. They are mounted directly on the current circuit, which constitutes the primary winding and are fixed by the screws contacting the conductor rail. In addition, they can be installed on a TS 35 - 35x7.5 mounting rail (as per EN 50022, BS 5584 or DIN 46277-3) with separately sold adapter or fixed to the ground via sleeve joints with Ø 5.4 openings, which are provided as part of the transformer delivery. They have permanent terminal and rated ratio designations.

The CTs meet the requirements of standards: PN-EN 61869-1:2009 and PN-EN 61869-2:2013-06.

All current transformers manufactured by F.A.E. „FANINA” S.A. are calibrated by the company laboratory, and the calibration costs are included in the price of the product. Additionally, at the Client’s request, we provide current transformers calibrated by the Regional Weights and Measures Office or calibrated by the accredited PCA laboratory (extra charge).



TECHNICAL DATA:

- Rated frequency f = 50 Hz
- Maximum permissible voltage of the device  $U_m = 0.72$  kV
- Rated test voltage with a power-line frequency: 3 kV
- Insulation class: B
- Extended current range: 120%
- Rated short-term thermal current  $I_{th} = 60 \times I_{pr}$
- Rated dynamic current  $I_{dyn} = 2,5 \times I_{th}$
- Casing: HB glass fibre reinforced self-extinguishing polyamide (acc. to UL-94)
- Operating temperature:  $-35 \div + 55^\circ\text{C}$
- Degree of protection: IP 20, IK07

Current $I_{pr}/I_{sr}$	class 0,5		class 0,2		class 0,5S		class 0,2S	
	Power Sr (VA)	FS	Power Sr (VA)	FS	Power Sr (VA)	FS	Power Sr (VA)	FS
A/A	(VA)	-	(VA)	-	(VA)	-	(VA)	-
125/5	2,5	5	-	-	2,5	5	-	-
150/5	2,5; 5	5	2,5; 5	5	2,5; 5	5	2,5; 5	5
200/5	2,5; 5	5	2,5; 5	5	2,5; 5	5	2,5; 5	5
250/5	2,5; 5	5	2,5; 5	5	2,5; 5	5	2,5; 5	5
300/5	2,5; 5	5	2,5; 5	5	2,5; 5	5	2,5; 5	5
400/5	2,5; 5	5	2,5; 5	5	2,5; 5	5	2,5; 5	5
500/5	2,5; 5	5	2,5; 5	5	2,5; 5	5	2,5; 5	5
600/5	2,5; 5	5	2,5; 5	5	2,5; 5	5	2,5; 5	5
750/5	2,5; 5	5	2,5; 5	5	2,5; 5	5	2,5; 5	5
800/5	2,5; 5	5	2,5; 5	5	2,5; 5	5	2,5; 5	5
1000/5	2,5; 5	5	2,5; 5	5	2,5; 5	5	2,5; 5	5

ORDERING EXAMPLE:

ISS-1-40 1000/5A; 5VA current transformer, class 0,2S.



Product in conformance with the provisions of directive:  
 - LVD 2014/35/UE for executions exceeding 50VAC

